

SmartStix I/O

A New I/O for OCS

SmartStix I/O is a new terminal-block style I/O for the Operator Control Station (OCS). It can be used to expand the I/O capacity of any OCS and it is very cost effective as remote digital I/O. Because SmartStix I/O connects to any OCS CsCAN network port, it can be combined with SmartStack I/O to provide the best I/O selection for the application.

Compact, DIN-rail Mounted

SmartStix I/O is extremely compact, providing 16 and 32 point digital I/O in a package only 1.5" (39mm) deep and a footprint of 2"H x 4.5"W (50 x 116mm) or 2"H x 7"W (50 x 177mm). With its small footprint, SmartStix I/O takes up very little panel space whether located in the main control panel or tucked away in a remote location. SmartStix I/O has a barrier style terminal strip and can be mounted on a DIN-rail.



SmartStix I/O

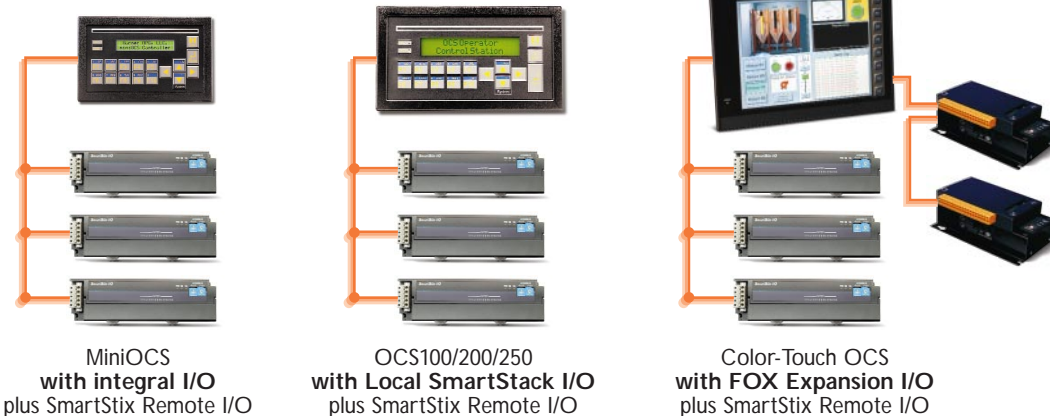
Expands I/O Capacity, Local or Remote

From the miniOCS* to the Color-Touchscreen OCS, SmartStix I/O easily expands the digital I/O capacity of any OCS utilizing the CsCAN network port available with every model. It is especially cost effective when added to a MiniOCS. SmartStix I/O offers fast response times without sacrificing robustness, with no need for a costly I/O interface unit. In addition to its peer-to-peer capabilities, CsCAN is used as a highly efficient method of distributing SmartStix I/O up to 6000 feet** away.

Easy to Setup—Easy to Configure

Time and complexity to configure most Remote I/O systems is a drawback. SmartStix I/O greatly reduces setup time. Just assign a unique ID to the I/O module using the integrated rotary switches, connect a 5-wire shielded cable, and add a single, simple function block to your Cscape control program. You'll be up and running in no time.

SmartStix Application Examples



Local or Remote

Compact

Fast Response Times

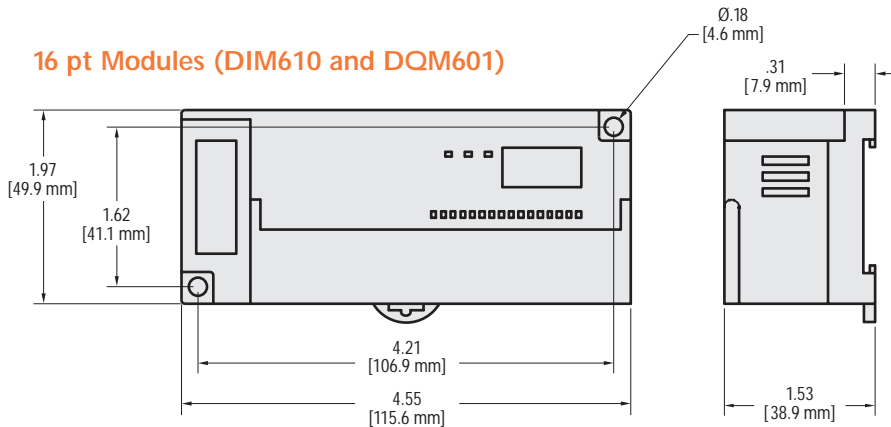
*Optional CsCAN port required for miniOCS.

**Maximum distance is 1500 feet per segment, with up to 6000 feet possible using repeaters.

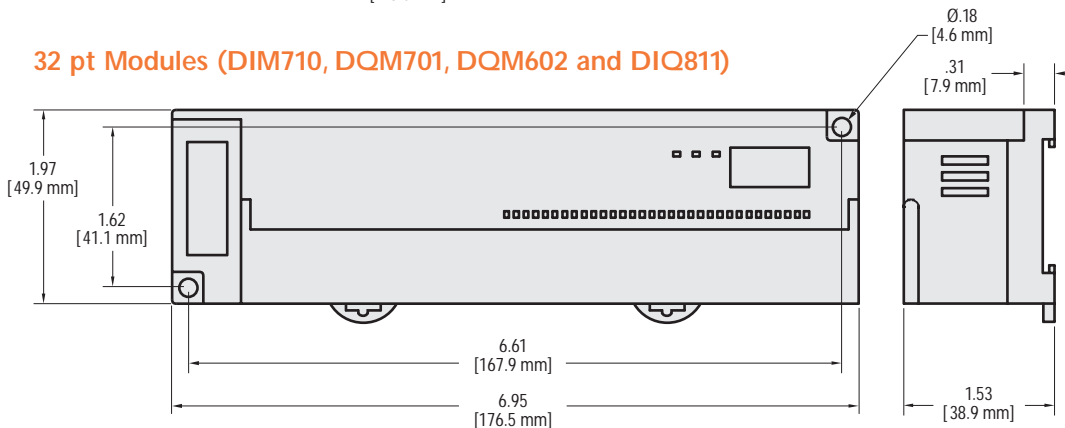
Specifications

Item	Specification
Bus Protocol	CsCAN (Control station Controller Area Network)
Input Data Mechanism	Global Data (change-of-state & periodic)
Output Data Mechanism	Directed Data (change-of-state & periodic)
Bus Connector	5-position Terminal Strip
Maximum Distance	1500 feet (500m) per segment; 4 segments max.
Maximum Number of Nodes	253
Module Configuration Method	Module ID, set using Rotary Switches (2)
LED Indication	I/O Status (one per point); Power, Module Status, Network Status

16 pt Modules (DIM610 and DQM601)



32 pt Modules (DIM710, DQM701, DQM602 and DIQ811)



Part Numbers	Description
HE550DIM610	16 DC Inputs (24vdc, pos/neg logic).
HE550DIM710	32 DC Inputs (24vdc, pos/neg logic).
HE550DQM601	16 DC Outputs (24vdc, neg logic, 0.1A)
HE550DQM701	32 DC Outputs (24vdc, neg logic, 0.1A)
HE550DQM602	16 Relay Outputs (250vac, 30vdc, 2.0A)
HE550DIQ811	16 DC Inputs (24vdc, pos/neg logic) and 16 DC Outputs (24vdc, neg logic, 0.1A)



32pt SmartStix Module

Easily Expands
I/O Capacity

Easy Setup

Horner APG

USA 877-665-5666
Europe (+353) 21-4321266
Internet: <http://www.heapg.com>
www.hornerOCS.com

Windows is a registered trademark of Microsoft Corporation.
Cescape, SmartStack, SmartStix, and CsCAN are trademarks of Horner APG, LLC.



HORNER
APG
20 Years of Innovation